

CITTÀ

Point Pendant Light

Product Information Document

The Point pendant is the result of a collaboration between product designer Alex Buckman and Città's 3D design team, David Moreland and Nikolai Sorensen. Awarded a Gold Pin at New Zealand's prestigious Best Design Awards in 2020.

The unique pendant makes a statement with its spherical hand-blown glass shade and pared-back aesthetic. The modular design gives you the ability to create a lighting configuration customised to your space. The shade is crafted by skilled artisans using traditional glass-blowing techniques. In the elaborate process, molten glass is handled on the end of a blowpipe and then mouth-blown into a fixed-shaped mould. This handcrafted nature may create some variations in colour.



Point Pendant Light

Material

Mild steel, Glass

Colour



Smoke Grey Glass

Small Pendant: EBL0008PSU
Large Pendant: EBL0008PLU
Small Extension: EBL0008PES
Large Extension: EBL0008PEL



Clear Glass

Small Pendant: EBL0007PSU
Large Pendant: EBL0007PLU
Small Extension: EBL0007PES
Large Extension: EBL0007PEL

Dimensions Packaged:	Small Pendant: 11.3 x 14.6 in. h	Extension: 11.2 x 11.2 x 12.8 in. h
	Large Pendant: 21.5 x 21.7 x 17.7 in. h	Extension: 14.8 x 14.8 x 16.3 in. h
Dimensions Assembled:	Small Pendant: ø8.3 x 21.3 in. h	Extension: ø8.3 x 12.2 in. h
	Large Pendant: ø11.8 x 29.1 in. h	Extension: ø11.8 x 18.1 in. h
Weight Packaged:	Small Pendant: 7.0 lb	Extension: 3.5 lb
	Large Pendant: 10.7 lb	Extension: 5.7 lb
Weight Assembled:	Small Pendant: 5.9 lb	Extension: 3.7 lb
	Large Pendant: 9.0 lb	Extension: 5.5 lb

Specification

- Integrated 2700k LED Lightsource non dimmable
- Lumen rating: 45 LM | 120VAC | Max. 9 Watts
- Cable Length: 98.4 in. | Ceiling Rose: ø4.8 x 1.6 in.
- Guanqin Constant Voltage LED Driver Model #AED18-2400750VDCWO
- 2 year warranty
- LED has a 50,000 hour expected lifespan
- Not IP rated for bathroom or wet area use
- When connecting the extensions, please ensure the pendant light is turned off at the wall
- Remove end cap when connecting the extension
- To connect, rotate the thread clockwise until the extension pole sits flush with the pendant pole
- A max. of three large or small extension can be connected to the pendant, totalling a string of four lights

Care Instructions

Carefully clean with a warm damp cloth.
Refer to Point lighting range cleaning guide.

Assembly Instructions

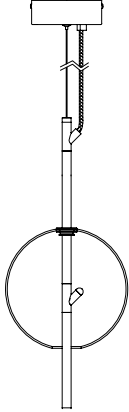
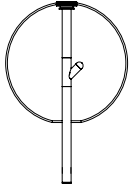
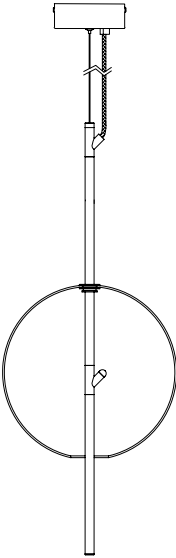
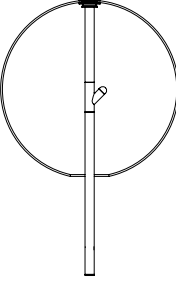
Installation required.
To be fitted by a qualified electrician only.

Residential Warranty: 2 years

Commercial Warranty: 2 years

Point Pendant Light

Components

<p>Small Pendant ø8.3 x 21.3 in. h</p>	 A technical line drawing of a small pendant light fixture. It features a rectangular ceiling mount at the top, connected by a short chain to a vertical stem. A circular shade is attached to the stem, and a small adjustment knob is visible on the stem below the shade.
<p>Small Extension ø8.3 x 12.2 in. h</p>	 A technical line drawing of a small extension light fixture. It consists of a circular shade with a vertical stem extending downwards from its center. A small adjustment knob is located on the stem below the shade.
<p>Large Pendant ø11.8 x 29.1 in. h</p>	 A technical line drawing of a large pendant light fixture. It has a rectangular ceiling mount connected to a vertical stem by a chain. A large circular shade is attached to the stem, and a small adjustment knob is positioned on the stem below the shade.
<p>Large Extension ø11.8 x 18.1 in. h</p>	 A technical line drawing of a large extension light fixture. It features a large circular shade with a vertical stem extending downwards from its center. A small adjustment knob is located on the stem below the shade.