

IMPORTANT SAFETY INFORMATION

READ BEFORE USE

Before standing on this stool, anti-slip tape **MUST** be applied.

Refer to the instructions below before use.

Failure to apply the anti-slip tape before stepping on the stool may result in slipping and serious injury.

PRODUCT OVERVIEW

This stool is designed for multi-purpose domestic use, including:

- Seating
- Storage
- General utility furniture
- Use as a step stool **when configured correctly**

IMPORTANT:

When used as a step stool, an anti-slip surface is required to reduce the **risk of slipping**. Anti-slip tape is supplied with this product. **Before using as a step stool**, anti-slip tape must be correctly applied to the stepping surfaces. Do not use the stool as a step stool until the anti-slip tape is fully applied.

USE WITHOUT ANTI-SLIP TAPE

The stool may be used without anti-slip tape only when used for:

- Seating
- Storage
- General utility furniture

Do not stand on the stool without anti-slip tape applied.

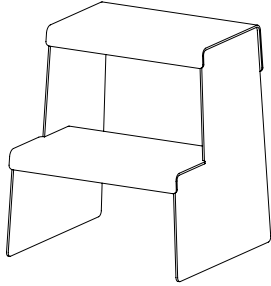
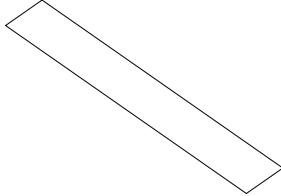
SAFETY INFORMATION

- **DOMESTIC USE ONLY**
- **INDOOR USE ONLY**
- **MAXIMUM LOAD: 100 KG**
- **ONE PERSON LIMIT**
- **USE ON FLAT, STABLE SURFACES ONLY**
- **DO NOT USE ON WET OR SLIPPERY FLOORS**
- **DO NOT CLIMB, JUMP ONTO, OR MISUSE THE STOOL**
- **INSPECT THE STOOL AND ANTI-SLIP TAPE REGULARLY**
- **DO NOT USE IF THE STOOL IS DAMAGED OR UNSTABLE, OR IF THE ANTI-SLIP TAPE IS WORN, DAMAGED OR REMOVED**

This instruction sheet is temporarily attached for safety. It may be removed only after the anti-slip tape has been applied, or if the stool will be used solely for seating or storage.

CITTÀ

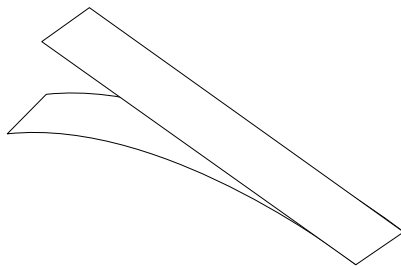
Supply Stool

1 x Stool	3 x Anti-Slip Tape Strips
	

Step 1

Ensure the surface of each step is clean, dry, and free from dust or oils.

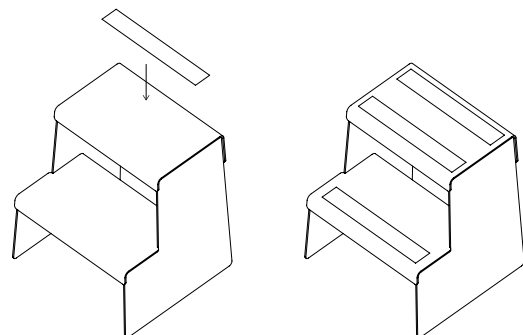
Peel the backing off the anti-slip strips to expose the adhesive side of the tape.



Step 2

Apply two strips of anti-slip tape lengthwise on the top step and one strip on the bottom step. Position each strip approximately 2cm from the rounded front edge of the step. Press down along the full length to ensure good adhesion.

Make sure the strips are straight and evenly aligned for the best grip and appearance.



This stool has been tested for home use and meets the requirements for durability and safety, according to the ANSI ASC A14.11 standard when the supplied anti-slip tape is applied to the specified locations. **Before using as a step stool**, anti-slip tape must be correctly applied.